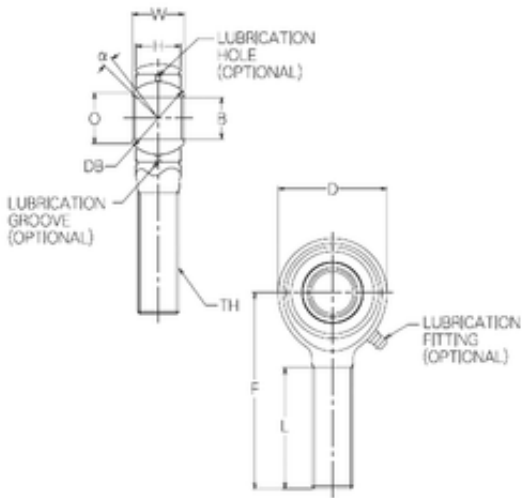




GSF palier Forging Company.

17 mm x 41 mm x 17 mm NMB HR17E paliers lisses

Bearing No. HR17E



HR17E Bearing 2D drawings and 3D CAD models

Bore Diameter	17 mm
Width	17 mm
d	17 mm
Db	28,58 mm
O	20,4 mm
B	17 mm
D	41 mm
F	72,5 mm
H	15,25 mm
L	42 mm
W	20 mm
Angle	12 °
Thread (TH)	M16 × 1,5