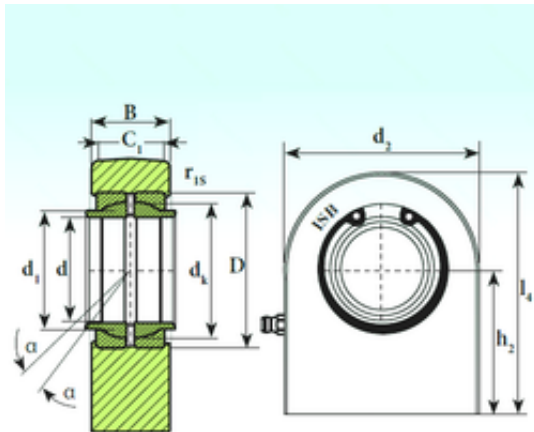




GSF palier Forging Company.



T.P.N. 725 CE Bearing 2D drawings and 3D CAD models

25 mm x 42 mm x 25 mm ISB T.P.N. 725 CE paliers lisses

Bearing No. T.P.N. 725 CE

Bore Diameter	25 mm
Outer Diameter	42 mm
d	25 mm
D	42 mm
d1	30,5 mm
d2	55 mm
dk	35 mm
h2	45 mm
l4 max.	72,5 mm
r min.	0,6 mm
B	25 mm
C1	23 mm
Angle	4 °
Weight	0,54 Kg
Basic dynamic load rating (C)	48 kN