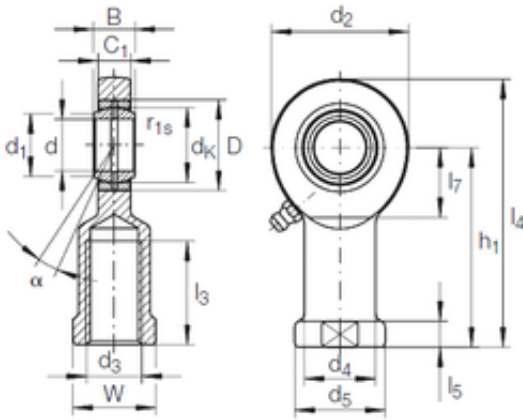




GSF palier Forging Company.

70 mm x 105 mm x 49 mm INA GIR 70 DO-2RS paliers lisses

Bearing No. GIR 70 DO-2RS



GIR 70 DO-2RS Bearing 2D drawings and 3D CAD models

Size	70x105x49 mm
Bore Diameter	70 mm
Outer Diameter	105 mm
Width	49 mm
d	70 mm
D	105 mm
B	49 mm
d1	77,8 mm
d2	160 mm
d4	80 mm
dk	92 mm
h1	200 mm
l3 min.	80 mm
l4 max.	280 mm
l5	20 mm
l7 min.	87 mm
r1 min.	1 mm
C1	42 mm
W	85 mm
Thread (G)	M56X4
Angle	6 °
d5	98 r/min
Weight	8,6 Kg
Basic dynamic load rating (C)	315 kN